

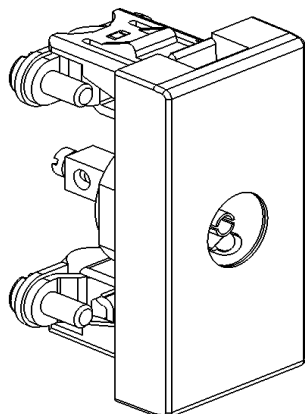
Myrius™

Ref . No. : 679260

TV Co-Axial Socket

Date : 11/05/2020

Rev.1

**1. USE**

Television socket outlet.

2. TYPE

TV Co-Axial Socket

No. of modules : 1

Colour : White

Mounting : Flush and Surface -mounted

3. OVERALL DIMENSIONS

Width : 22.5 mm

Height : 45 mm

Depth : 27.3 mm

Weight (g) : 19.4

4. CONNECTIONTV single Co-Axial socket (Φ 9.52 mm female)

0-860 MHZ

5. OPERATION

Socket without shutter

6. TECHNICAL CHARACTERISTICS**6.1 Material Characteristics**

Top plate : Polycarbonate

External contact : Brass

Internal contact : Brass

Bush : Polypropelene

Internal Contact screw : Steel with zinc plating

Cable Gripper : CRCA Steel

External contact support frame : Steel

Clamp Screws : Steel

6.2 Electricals Characteristics

Self - extinguishing : 850° C / 30 s.

7. CONFORMITY - APPROVALS

Legrand Standard